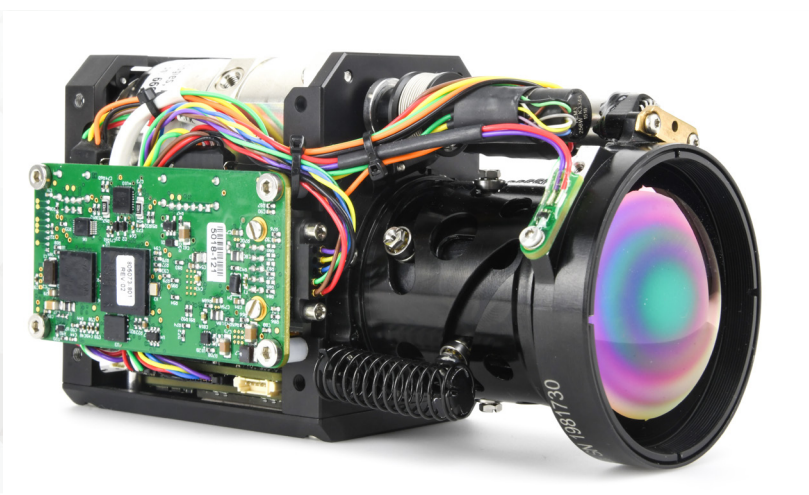


# GIMBAL DESIGN SERIES

LWIR AND MWIR THERMAL CAMERAS  
FOR USE IN STABILIZED GIMBAL SYSTEMS



SIERRA-OLYMPIC  
Technologies Inc.



INTEGRATED OVER  
**4,000** MWIR  
INFRARED CORES  
**10,000** LWIR  
INFRARED CORES

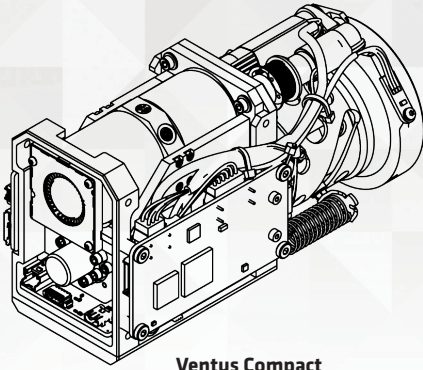


TESTED & SHIPPED  
MORE THAN  
**10,000**  
LENSES

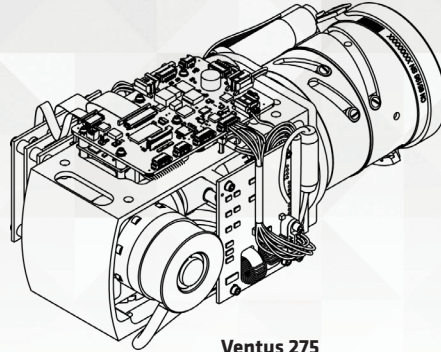


DELIVERED  
**6,000+**  
SYSTEMS

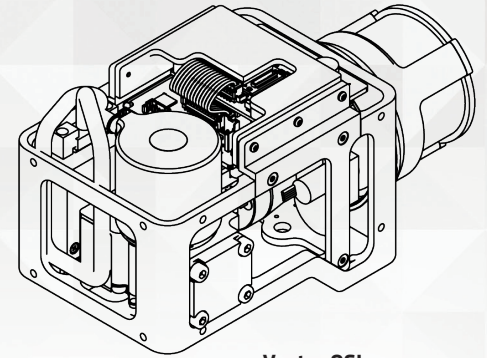
# MWIR CAMERAS



Ventus Compact



Ventus 275



Ventus OGI

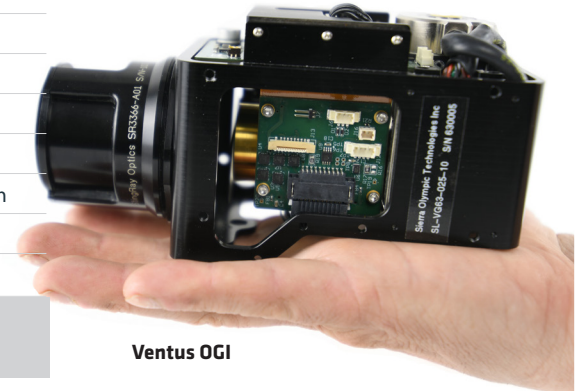
~ Cameras not shown to scale

## MID-WAVE SENSORS

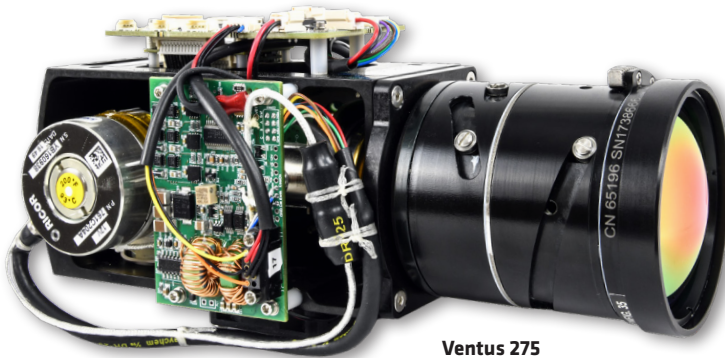
	Ventus Compact	Ventus 275*	Ventus OGI
Sensor	HOT MWIR	InSb	HOT MWIR
Max frame rate	60Hz	30Hz	30Hz
Pixel Size & Resolution	15μ, 640 x 512	15μ, 640 x 512	15μ, 640 x 512
EFL (mm) & Zoom	20-275mm (14x)	19-275mm (14x)	25mm
HFOV	27° - 2°	28.4° - 2°	21.7°
F#	5.5	5.5	1.5
Dimensions (mm) LxWxH	145 x 62 x 75mm	198 x 101 x 95mm	148 x 71 x 73mm
Front element diameter	58mm	63.5mm	37mm
Weight (g/lbs)	800g / 1.76lbs	1153g / 2.5lbs	542g / 1.14lbs
Fits gimbal size	150mm / 6"	200mm / 8"	150mm / 6"



\* Additional configurations are available



Ventus OGI



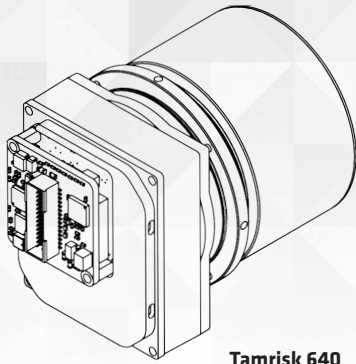
Ventus 275



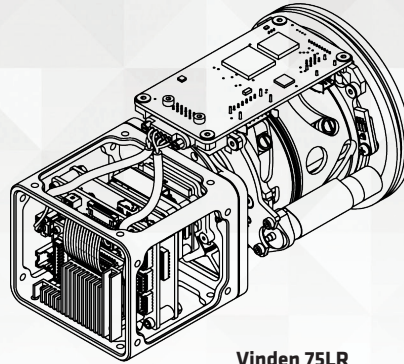




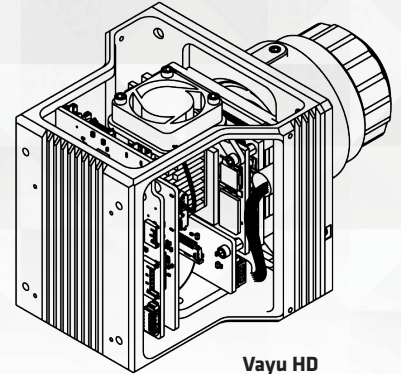
# LWIR CAMERAS



Tamarisk 640



Vinden 75LR



Vayu HD

~ Cameras not shown to scale

## LONG-WAVE SENSORS

	Tamarisk 320*	Tamarisk 640*	Vinden 75*	Vinden 75LR*	Vinden 4x	Vayu HD*
Sensor	Uncooled VOx	Uncooled VOx	Uncooled VOx	Uncooled VOx	Uncooled VOx	Uncooled VOx
Max frame rate	60Hz	30Hz	30Hz	60Hz	30Hz	60Hz
Pixel size & Resolution	17μ, 320 x 240	17μ, 640 x 480	17μ, 640 x 480	12μ, 640 x 480	17μ, 640 x 480	12μ, 1920 x 1200
EFL (mm) & Zoom	35mm	35mm	15-75mm (5x)	15-75mm (5x)	26-105mm (4x)	25mm
HFOV	9.6°	17.6°	39.9° - 8.3°	28.7° - 5.9°	26.6° - 5.9°	49.5°
F#	1.2	1.2	1.2	1.2	1.6	1.2
Dimensions (mm) LxWxH	57 x 32 x 37mm	67 x 47 x 50mm	114 x 82 x 151mm	137 x 82 x 82mm	123 x 82 x 82mm	122 x 77 x 72mm
Front element dia. (mm)	47.3mm	47.3mm	75mm	75mm	82mm	41mm
Weight (g/lbs)	134g / 0.30lbs	165g / 0.37lbs	385g / 0.85lbs	460g / 1.0lbs	640g / 1.41lbs	465g / 1.0lbs
Fits gimbal size	60mm / 2.5"	70mm / 3.0"	115mm / 4.5"	140mm / 5.5"	155mm / 6"	125mm / 5"



\* Additional configurations are available



Tamarisk 320



Vayu HD  
through heavy wildfire smoke

# GIMBAL DESIGN SERIES

LWIR AND MWIR THERMAL CAMERAS  
FOR USE IN STABILIZED GIMBAL SYSTEMS

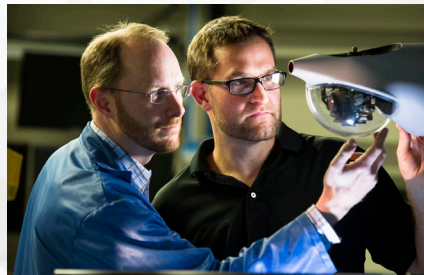


SIERRA-OLYMPIC  
Technologies Inc.



## Applications

- + Wide area surveillance
- + Oil and gas monitoring, leak detection
- + Wildfire monitoring
- + Search and rescue
- + Port and perimeter security
- + Aerial reconnaissance and mapping
- + Wildlife monitoring



Leaders in thermal imaging technology since 1995