

VINDEN 75LR



WIDE



NARROW

VINDEN 150LR



WIDE



NARROW

VINDEN 225LR



WIDE



NARROW

VINDEN 300LR



WIDE



NARROW

VINDEN LR

IDEAL FOR INTEGRATORS THAT DESIGN THERMAL AND MULTI-SENSOR SYSTEMS FOR DEFENSE, SECURITY, SURVEILLANCE, BORDER, PORT AND BASE SECURITY APPLICATIONS.



Vinden 75: 15-75mm



Vinden 75: 45-75mm



VINDEN LR SERIES

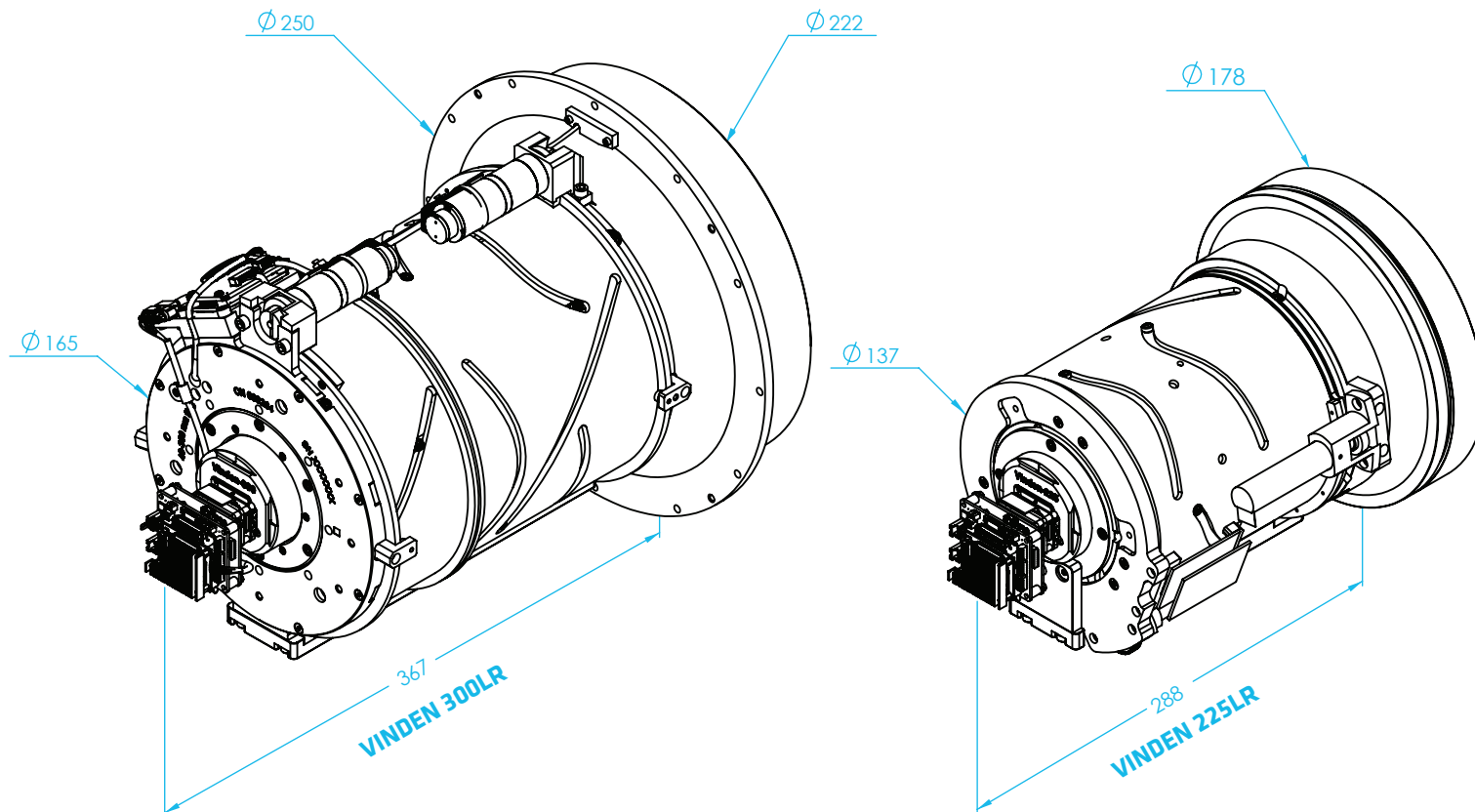
VINDEN LR CAMERAS ARE IDEAL FOR INTEGRATORS THAT DESIGN THERMAL AND MULTI-SENSOR SYSTEMS FOR DEFENSE, SECURITY, SURVEILLANCE, BORDER, PORT AND BASE SECURITY APPLICATIONS.

The Vinden LR series provides long-range thermal imaging with powerful continuous zoom optics in an OEM-friendly package. Several zoom lens options offer a narrow horizontal field of view (HFOV) as small as 1.5° without compromise to optical speed or sensitivity. Two packaging form-factors (standard/short) give the Vinden 75LR unmatched small SWaP-C (size, weight, power, and cost), making it a superb product for integrators of unmanned ground/aerial systems and security and surveillance products.

The Vinden LR's 12-µm 640 x 480 LWIR thermal imaging core provides high sensitivity at up to 60Hz framerate. The OEM camera module provides on-board image processing, on-board recording and storage, auto-focus, electronic image stabilization, advanced image processing, H.264 IP encoding and more. Highly tuned one-touch auto focus operates quickly and reliably throughout the zoom range. The long wave infrared (LWIR) camera is regulated under the U.S. EAR regulations as dual-use and can be purchased with 15-75mm, 25-150mm, 25-225mm, or 40-300mm continuous zoom lens.

FEATURES:

- + User color palettes / LUT
- + Shutter and Scene-based NUC
- + Spatial/temporal De-noise
- + Automatic Gain Control
- + CLAHE/LAP alpha blending
- + Optional Target Tracking and Detection
- + Electronic Stabilization
- + Picoblade and FFC hardware interfaces
- + Simultaneous analog/digital output



OPTICS, SIZE, AND WEIGHT:

Model Name	Vinden 75 Standard	Vinden 75 Short	Vinden 150LR	Vinden 225LR	Vinden 300LR
Part Number*	SL-VN-6X-90-00	SL-VN-6X-90-01	SL-VN-6X-Do-00	SL-VN-6X-Bo-00	SL-VN-6X-Co-00
Focal Length (mm)	15-75	15-75	25-150	25-225	40-300
HFOV (deg)	28.7 - 5.9	28.7 - 5.9	17.5 - 3	17.5 - 2	11 - 1.5
Optical Zoom	5x	5x	6x	8x	9x
F#	1.2	1.2	1.4	1.5	1.5
Weight (approx)	460g (16.2oz)	452g (15.9oz)	2240g (4.9lb)	4457g (9.8lb)	10465g (23.0lb)
Envelope Dimensions (L x Dia)(approx)	137 x 82 mm 5.4 x 3.2 in"	116 x 82 mm 4.6 x 3.2 in"	203 x 130 mm 7.9 x 5.1 in"	288 x 178 mm 11.3 x 7.0 in"	367 x 250 mm 14.4 x 9.8 in"
Digital Zoom	4x				
Coating	Hard Carbon				

FOCAL PLANE ARRAY:

Resolution	640x480
Sensor	Uncooled VOx Microbolometer
Pitch	12µm
Wavelength	7.5 - 13 µm
NETD	<50 mK
Framerate	60Hz

INTERFACE:

Analog Video output	NTSC/PAL
Digital Video Output	16-bit CameraLink
IP Video output	MJPEG or H.264 Encoded
IP Broadcast	Unicast / Multicast
System Control	Serial or Ethernet
Onboard Video Storage	Up to 32GB microSD

ENVIRONMENTAL:

Operating Temperature Range	-20 to +67C
Shock	Operating: 10G / Non-operating: 70G
Power Consumption	12VDC / 4W max consumption
Mounting	1/4-20 Tripod Mount
Certification	RoHS; IP67 compatible mounting

EXPORT CLASSIFICATION:

- + 60Hz EAR 6A003.b.4.b

